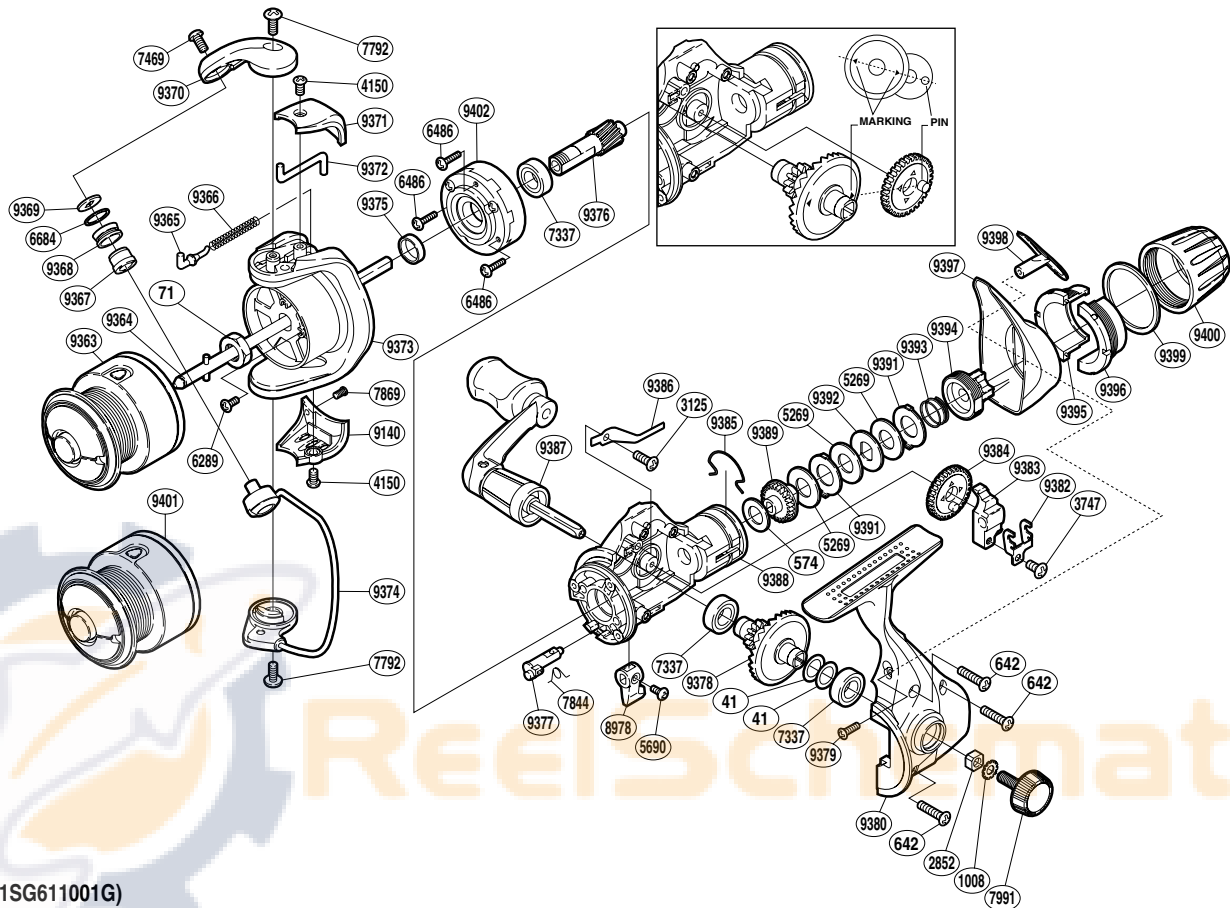


SHIMANO®

NEXAVE

NEX-1000RA



(1SG611001G)

Part No.	Description	Part No.	Description	Part No.	Description
RD 0041	Washer	RD 9140	Bail Hold Support Guard	RD 9384	Oscillating Gear
RD 0071	Rotor Nut	RD 9363	Spool Assembly	RD 9385	Hold Click Spring
RD 0574	Drag Washer C (cloth)	RD 9364	Main Shaft	RD 9386	Drag Click
RD 0642	Screw	RD 9365	Bail Spring Guide	RD 9387	Handle Assembly
RD 1008	Handle Lock Washer	RD 9366	Bail Spring	RD 9388	Body
RD 2852	Handle Screw Lock	RD 9367	Line Roller Bushing	RD 9389	Drag Shaft
RD 3125	Screw	RD 9368	Line Roller	RD 9391	Eared Washer
RD 3747	Screw	RD 9369	Line Roller Washer	RD 9392	Key Washer
RD 4150	Screw	RD 9370	Bail Arm	RD 9393	Drag Coil Spring
RD 5269	Drag Washer H (blue)	RD 9371	Bail Spring Cover	RD 9394	Pressure Screw
RD 5690	Screw	RD 9372	Bail Trip Lever	RD 9395	Drag Programmer B1
RD 6289	Screw	RD 9373	Rotor	RD 9396	Drag Programmer B2
RD 6486	Screw	RD 9374	Bail Assembly	RD 9397	Rear Protector B
RD 6684	Line Roller Spacer	RD 9375	Rotor Ring	RD 9398	Rear Protector A
RD 7337	Ball Bearing	RD 9376	Pinion Gear	RD 9399	Drag Programmer B Ring
RD 7469	Screw	RD 9377	Anti-Reverse Cam	RD 9400	Drag Programmer A
RD 7792	Screw	RD 9378	Drive Gear	RD 9402	Roller Clutch Assembly
RD 7844	Anti-Reverse Cam Spring	RD 9379	Screw		
RD 7869	Screw	RD 9380	Side Cover		
RD 7991	Handle Screw Cap	RD 9382	Oscillating Slider Retainer		
RD 8978	Anti-Reverse Lever	RD 9383	Oscillating Slider	RD 9401	Spare Spool Assembly